

## DEK-DOT RECESSED LIGHT KIT INSTALLATION INSTRUCTIONS



### Usage:

These waterproof, weatherproof, salt air resistant LED recessed lights are perfect for decks, steps, stairs, patios, dock lights and marine lighting. You can even embed them in concrete walkways or steps - wherever accent lighting is desired.

### Outdoor Recessed Light kit contains:

- (8) Recessed DEK DOT lights w/ 6' pigtails
- (1) Custom sized (.900) diameter Forstner Bit
- (1) Fiber Washer and (1) Snap Ring
- (1) Waterproof 12V DC Power Supply/36 Watt
- (16) Outdoor UL approved Gel Filled Wire Nuts
- (1) Photo Timer
- (1) Installation Instructions"

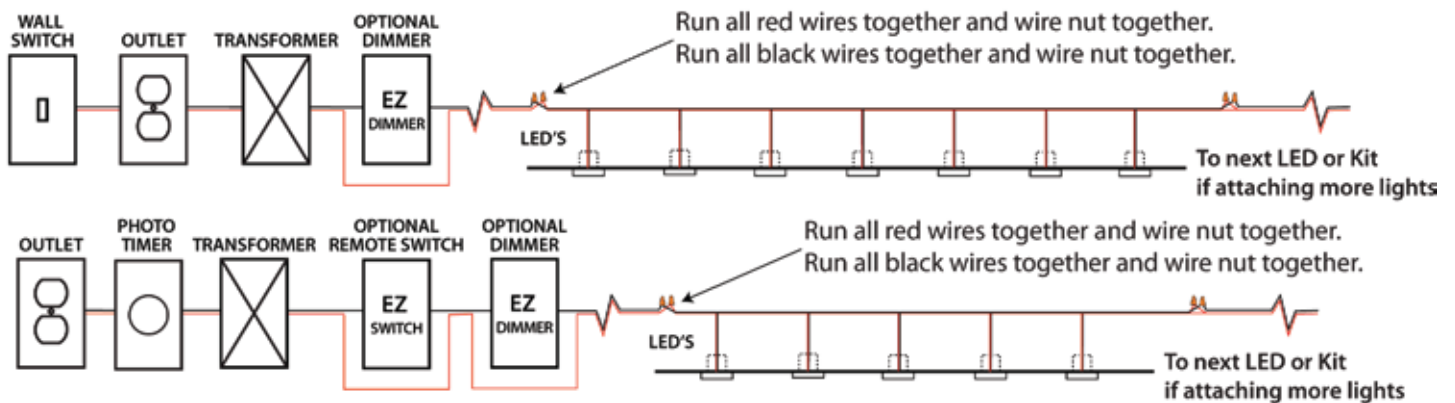
### Additional Tools or Items Required:

- Outdoor UL approved Wire (18 gauge)\*
- Power Drill
- Measuring Tape

*\* No wire is supplied in kit but can be purchased through our website*

## PLAN YOUR INSTALLATION

### Sample Wiring Diagram for Recessed Lights



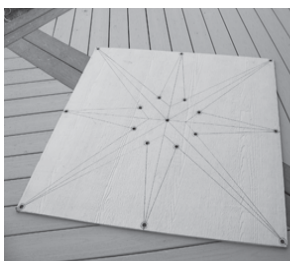
### Step 1 Transformer Location

Determine where you will plug in your transformer / power supply. Locate transformer in a location that is accessible in the unlikely event of servicing.

You can have the transformer hooked up to a wall outlet that is switched or hard wire the transformer directly to a switched circuit as long as you leave access to the transformer per electrical code.

### Step 2 Wire Requirements and Connections

We recommend using 18 gauge stranded outdoor wire for our products where the total wire run is less than 100'. If wire run will exceed 100' increase wire gage size to 16 or 14 gage. For making the connections use our gel filled UL approved wire nuts. (Wire and Wire nuts available at [www.dekorlighting.com](http://www.dekorlighting.com))



### Step 3 Location of Lights

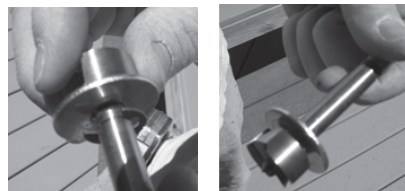
Choose the location of where the light will be installed.

DEK DOT's have numerous location possibilities. Shown in the picture is a compass pattern on one project. The customer made a simple board layout and transferred the pattern onto the deck. Just let your imagination go. For use as stair lights and because the light is totally flush and hardly visible you can put it about anywhere from the riser to the tread to the stringer.

## INSTALLATION AND WIRING

### Step 4 Drill Stop Assembly

Your kit includes a custom sized Forstner bit, a large fiber washer and a snap ring. Place the washer on the shaft of the bit and slide down past the snap ring groove. Now take the snap ring and install it in the groove as shown. You should only need finger pressure to install the snap ring but pliers may be necessary.



Each and every project is unique. These instructions are given as know approaches and general guidelines to installing our product. Your project may dictate an entirely different installation approach, which makes your installation unique. If you have questions regarding your installation please contact Customer Support 1-800-258-0344 or your local electrical contractor.

**Step 5 Drilling**

At this point you've figured out where you want to install the DEK DOT's. Using a drill motor drill the installation hole perpendicular to the surface. Drill until the washer bottoms out against material being drilled. **Caution: When drilling composite material make sure the washer does not spin on surface as marring of surface may occur. Because drill filings have no place to go make sure to clean hole out periodically during the drilling process to avoid build up of material in hole.**



Using the drill motor drill a hole in the center of the installation hole for wires to pass through.

Any size around a 1/4" will do.



**Step 6 Insert DEK DOT's**

Thread wires into through hole. Never pull on the wires from the opposite side. Using your thumb or a soft-ended tool push DEK DOT housing into the hole.



**\*\* CAUTION: Do not pull LED into cup by pulling on wires! They as they will break eternally, guaranteed!**

**Step 7 Verify Flushness**

Either by feel or placing a straight edge on the DEK DOT to verify that the light is flush with mounting surface. If it's not remove DEK DOT and re-drill hole. If the DEK DOT is below the surface for whatever reason place a small amount of clear silicone in the bottom of hole and push the DEK DOT down until it is flush. Allow the silicone to dry overnight before walking on DEK DOT.



**Step 8 Combine pigtail wires and additional wire if needed**

Run all red wires together and wire nut together. Run all black wires and wire nut together. Use the 6' pigtail to your advantage by combining as many wires as you can into one wire nut.



Wire all + (red wires) and all -(black wires) in parallel to the transformer. Our wire has white lettering on one wire to designate it as your + wire through the circuit per UL guidelines.

**Step 9 Connect Wires to Transformer and Power Up**

Connect main bus wires to transformer maintaining polarity in circuit. In other words (+) to all the red LED wires and (-) to all the black wires. Finally, plug your transformer in and lights should light up. If they do not, the problem will be most likely in the wiring.

**TROUBLE SHOOTING TIPS:**

1. Verify that there is power coming from the transformer. No power, no light.
2. If you have power make sure the polarity is correct. Red wires (+) to positive on transformer, black wires (-) to negative on transformer.
3. If one of your lights will not light and the others do and you have verified the wiring, take one of the other lighted lights and try it at the same location. If it still doesn't light then contact customer service at DEKOR.

**TECHNICAL INFORMATION**

**Transformer:**

3amp 12v DC constant current  
 Light capacity 28-recess or DEK DOT lights  
 Thermal and voltage overload circuits  
 Physical size 1.3" tall x 1.3" wide x 6.1" long  
 Works with US and European voltages  
 Waterproof design IP66 rated  
 UL and CUL approved

**LED's:**

No thermal/heat output  
 3200 Kelvin Color (warm white)  
 Waterproof  
 Highest grade LED and high lumen output

**ORDERING INFORMATION:**

| Model Number  | Description              |
|---------------|--------------------------|
| WIRE18/2LV100 | Outdoor UL approved Wire |
| WIRENUTSMGF   | Wire nut gel filled.     |
| EZDIMMERWP    | Waterproof Dimmer        |
| DEKDOT4xx     | DEK DOT 4 Pack           |