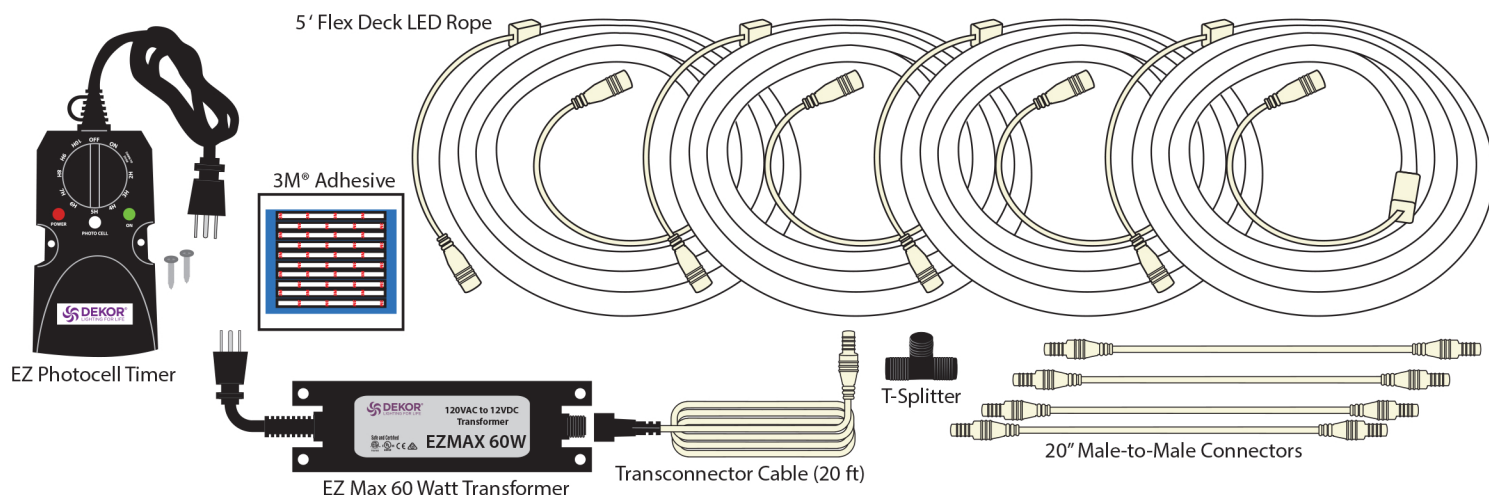


**Flex Deck LED Rope Lights** are truly formed to fit your needs. Flex Deck LED Rope Lights can shine in any place, but we believe they're ideally suited to shine under deck rails and stairs. Follow our instructions to install under your deck rails and stairs below.

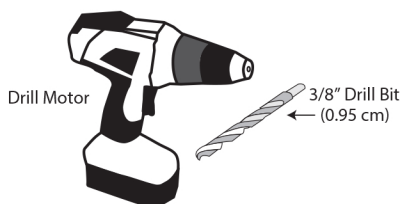
If your lighting needs extend far beyond your deck and stairs, give our Lighting Experts a call. They can provide customized support and installation tips that fit your home's specifications and even give valuable setup suggestions to make installation a little easier. Call 1.800.258.0344, or connect to our responsive chat messenger at [dekorlighting.com](http://dekorlighting.com).



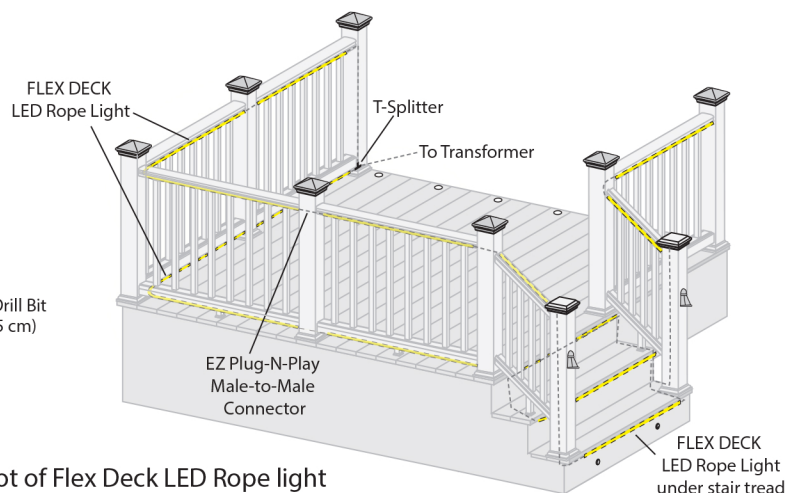
### Flex Deck LED Rope Light Kit includes:

- (4) Flex Deck LED Ropes (5 ft)
- (4) EZ Plug-N-Play Male-to-Male Connectors (20 in)
- (50) 3M® PSA Adhesive (1/4" x 4")
- (1) EZ Plug-N-Play Transconnector Cable (20 ft)
- (1) EZ Max 60 Watt Transformer
- (1) EZ Photocell Timer
- (2) EZTIMER Screws
- (1) EZ T-Splitter

### TOOLS NEEDED



### Example of Flex Deck LED Rope Light under railing and stairs:



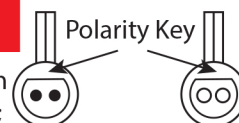
**NOTE:** Adhesive strips hold becomes stronger over time.  
Two (2) adhesive strips are recommended per linear foot of Flex Deck LED Rope light

### HELPFUL TIPS

- » Follow the appropriate building and electrical codes when installing all DEKOR® lighting products.
- » Leave wire slack to make fixture terminations.
- » It is recommended to determine placement of lighting under dark conditions prior to drilling/installation.
- » DO NOT use more than one transformer on each circuit.
- » To ensure all components are in working condition it is recommended to have power source attached and on when installing lights.

### CAUTION:

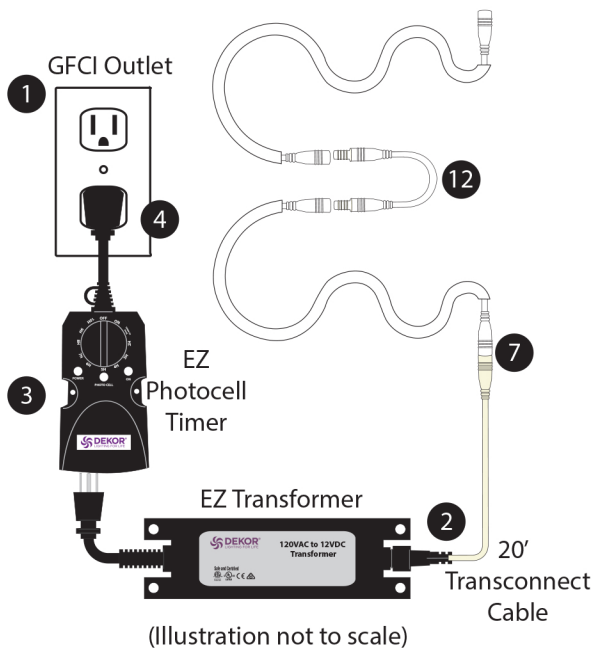
When making a connection between a Plug-N-Play connector or a splitter; observe the polarity key to make the proper connection. The male and female connectors have a flat side that **MUST MATCH UP**. DO NOT force the connectors together. Plug-N-Play connectors are waterproof, but if there is constant exposure to water, use of dielectric grease is mandatory at all connections. Dielectric grease should be added prior to connection.



## Planning

**NOTE:** Prior to installing, plan locations of lights, power supply, timer, and dimmer. These need to be accessible for service. It is required to install a GFI to help prevent damage to lights caused by electrical surges.

1. Plug Timer in a GFCI outlet located in a dry area.
2. You must install timer vertically with receptacle facing down. Timer and transformer must be installed as per local/state and federal water safety code height regulations. To use the dusk/dawn feature the timer must be in view of the sun.



**Note:**

Ensure transformer capacity for set of LED Ropes matches listed maximum capacity table. If Flex Deck LED Rope requires a higher transformer capacity than what is provided, transformer will malfunction and possibly overload.

TRANSFORMER CAPACITY TABLE			
TRANSFORMER NAME	OUTPUT CURRENT	ROPE QUANTITY CAPACITY	ROPE LENGTH CAPACITY
Standard EZ (36 watts)	2.5 AMPS	2 - 5' sections	10 feet
<b>EZ Max</b> (60 watts)	5.0 AMPS	5 - 5' sections	25 feet
<b>EZ MaxC</b> (100 watts)	8.3 AMPS	8 - 5' sections	40 feet
<b>EZ Max200</b> (200 watts)	16.6 AMPS	16 - 5' sections	80 feet

One foot of the strip draws .200 MILI/AMPS. Meaning, one 5' section draws 1,000 MILI/AMPS or 1 AMP.

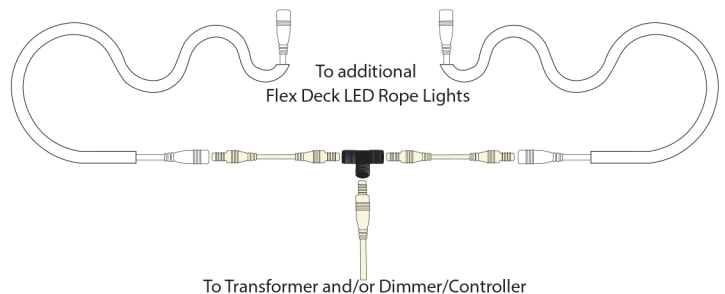
- » ALWAYS check local codes before beginning your project.
- » USE DEKOR® TRANSFORMERS ONLY. Using any other type of transformer voids the warranty.

## FLEX DECK LED ROPE LIGHTING INSTALLATION

Live wiring installation (install with connected/activated lights) is recommended to ensure complete connection and functionality. Follow the steps below to live wire your Flex Deck LED Rope Lights.

1. Determine location of power source (external/interior outlet).
2. Connect 20' transconnect cable to EZ transformer.
3. Plug EZ transformer into EZ Photocell timer (if applicable).
4. Plug EZ Photocell timer into power source (external/interior outlet).
5. Turn EZ Photocell timer to ON position —green light will turn on.
6. Determine location and setup of Flex Deck LED Ropes. Ensure you have enough space for full length of ropes.
7. Connect 20' transconnect cable to closest/last LED rope in planned setup. LED Rope should illuminate once connected.

**Note:** Due to possible power loss over long runs, it is recommended to split the circuit by using an EZ T-Splitter in the center of a run from the transconnect cable, splitting the run in both directions.



8. Prior to applying adhesive strip, clean surface of rope light with an alcohol wipe to remove oil and debris. Then remove protective seal on 3M pressure sensitive tape's first side.



9. Attach to single Flex Deck LED Rope Light using even pressure, holding for 10 seconds.



10. Remove protective sealing on 3M tape's other side.



11. Secure under rail, stair tread overhang, cabinet, desk or other location by using stable pressure to secure to surface, holding for 10 seconds.



12. Connect Flex Deck LED Rope to adjoining rope using Plug-N-Play male connector cables. Each adjoining rope should illuminate once connected.

13. Repeat steps 8 - 10 for each additional rope.