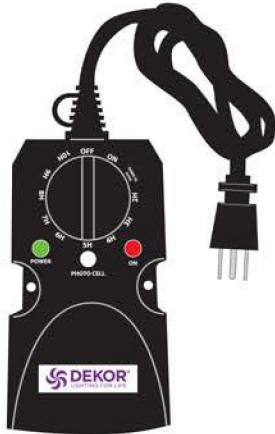


## Photocell/Timer Operation Instructions

- Select the mode of operation:
    - » Dusk to Dawn
    - » 2 - 10 hours
    - » Always "On"
    - » "Off"
- Program repeats daily.  
Green light indicates power is incoming from wall outlet, Red light indicates power flowing out.

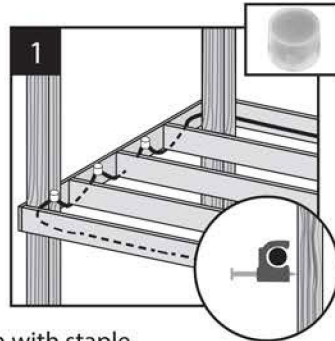


## Installing Wiring

**NOTE:** It is best to install wiring before railing and decking have been installed.

- » Run Male-to-Male connection wire (lengths vary) up through pre drilled holes.

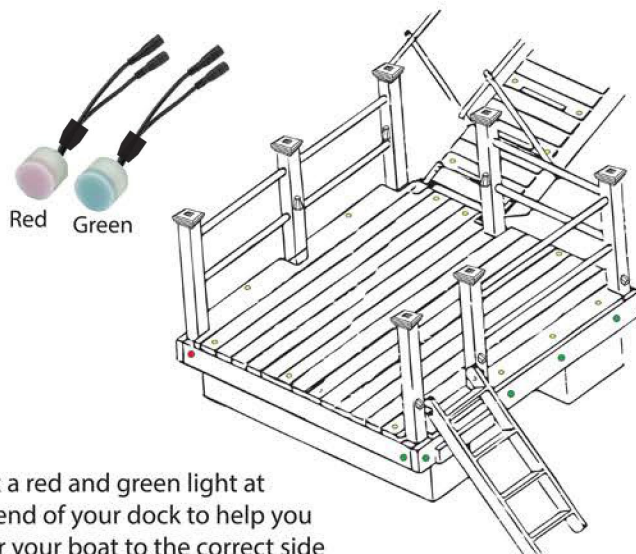
- Run wiring under decking structure and behind stringers.



DO NOT run wires in water or between joists and deck boards. Use enclosed cable staples to attach cables to dock frame.

DO NOT crush wire insulation with staple.

## DockDot™ Starboard and Port Light Kit Available



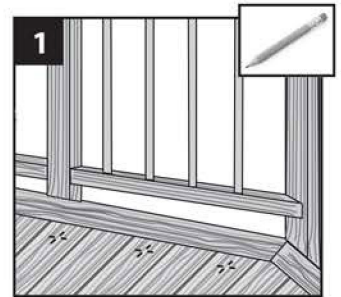
Affix a red and green light at the end of your dock to help you steer your boat to the correct side at night. Avoid leaving your dock end unilluminated.

## Installing DockDot™ Recessed Lights

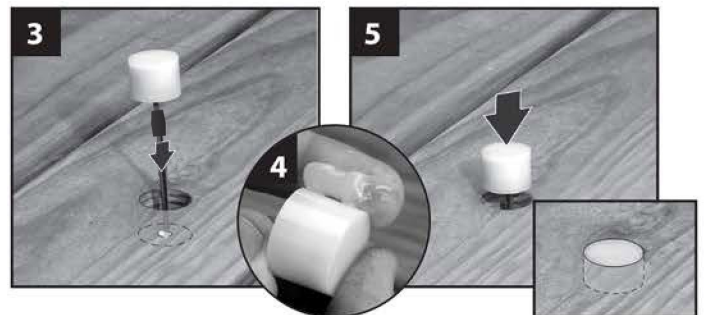
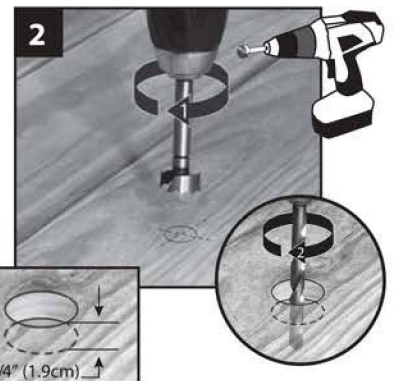
**NOTE:** Install DockDot™ recessed lights after installing decking.

- Mark location for DockDot™ lights on deck boards.

**NOTE:** Avoid locations over joists when possible because it will be more difficult to drill holes.



- Use the Forstner bit and drill a 1" (2.54 cm) dia. hole, 11/16" (1.75 cm) deep into the board. **Make sure the hole does not go all the way through deck board or light will fall through.** Drill a 3/4" (1.905 cm) diameter hole in base of the first hole through deck board to run Plug N Play wire.



- Thread wires through hole. **DO NOT** pull DockDot™ into hole by pulling on wires. This may damage Dock Dot™.
- Remember to add a small amount of silicone adhesive around the dot to insure proper seal and adhesion.
- Press DockDot™ into hole until flush with surface. Make connections under deck. Male lead wire from light into female connection on the next light.

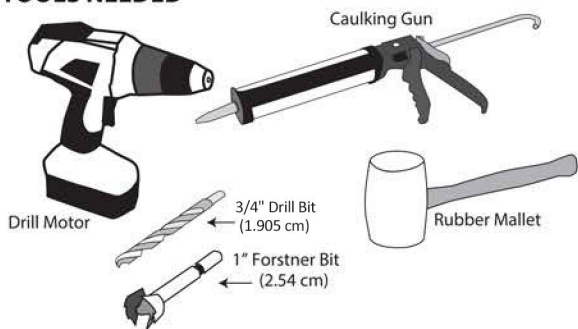
**REMEMBER:** Use dielectric grease on all connections and do not leave an unused connection open. Use EZ Plug and dielectric grease to terminate open ends.



Use at all Plug-N-Play connections

Terminate Open End

## TOOLS NEEDED



## General Information

- » ALWAYS check local codes before beginning your project.
- » USE DEKOR® TRANSFORMERS ONLY. Using any other type of transformer voids the warranty.

TRANSFORMER CAPACITY BY TYPE		
Type of Light	EZ Transformer 36W Transformer	EZ Max Transformer 60W Transformer
DOCKDot™	30	50
DOCKDot™ NexGen	24	40

The list above is for maximum number of each individual types of lights. Reference the transformer calculator at [DEKORLIGHTING.com](http://DEKORLIGHTING.com).

### Standard LED



Up/Down Light

### NexGen™ LED

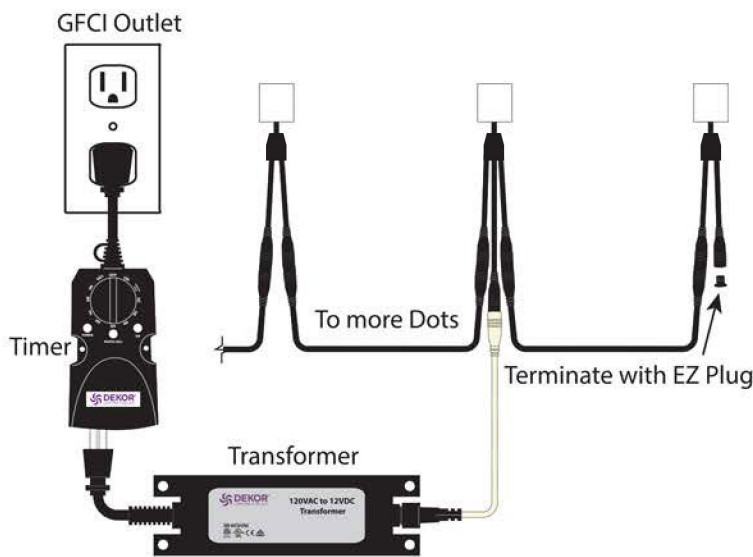


Up/Down Light

## Planning

**NOTE:** Prior to installing, plan locations of lights, power supply, timer, and dimmer. These need to be accessible for service. It is required to install a GFI to help prevent damage to lights caused by electrical surges.

1. Plug Timer in a GFCI outlet located in a dry area.
2. You must install timer vertically with receptacle facing down. Timer and transformer must be installed as per local/state and federal water safety code height regulations. To use the dusk/dawn feature the timer must be in view of the sun.



**NOTE:** When connecting male Plug-N-Play connector to Female Plug-N-Play connectors on DockDot™ lights, be sure to add a drop of dielectric grease (provided) into connector. Plug-N-Play connectors are waterproof, but due to extreme exposure to water use of dielectric grease is mandatory at all connections.

## HELPFUL TIPS

- » Follow the appropriate building and electrical codes when installing all DEKOR® lighting products.
- » Leave wire slack to make fixture terminations.
- » DockDot™ LEDs work best when spaced 4' (1.22m) to 6' (1.83m) on center around perimeter of dock.
- » It is recommended to determine placement of lighting under dark conditions prior to drilling/installation.
- » Carefully drill holes perpendicular to surface to avoid producing an enlarged hole. DockDot™ will have a loose fit if hole is enlarged. **NOTE:** Silicone caulk will be required to anchor light in place in over-drilled recessed light holes.
- » Unused connections need to be capped. Use a small dab of dielectric grease and a provided cap to seal the last open connector to prevent corrosion or water damage.

- » DO NOT use more than one transformer on each circuit.
- » To ensure all components are in working condition it is recommended to have power source attached when installing lights.

### CAUTION:

When making a connection between a Plug-N-Play connector or a splitter; observe the polarity key to make the proper connection. The male and female connectors have a flat side that **MUST MATCH UP. DO NOT** force the connectors together. Plug-N-Play connectors are waterproof, but if there is constant exposure to water use of dielectric grease is mandatory at all connections. Dielectric grease should be added prior to connection.

