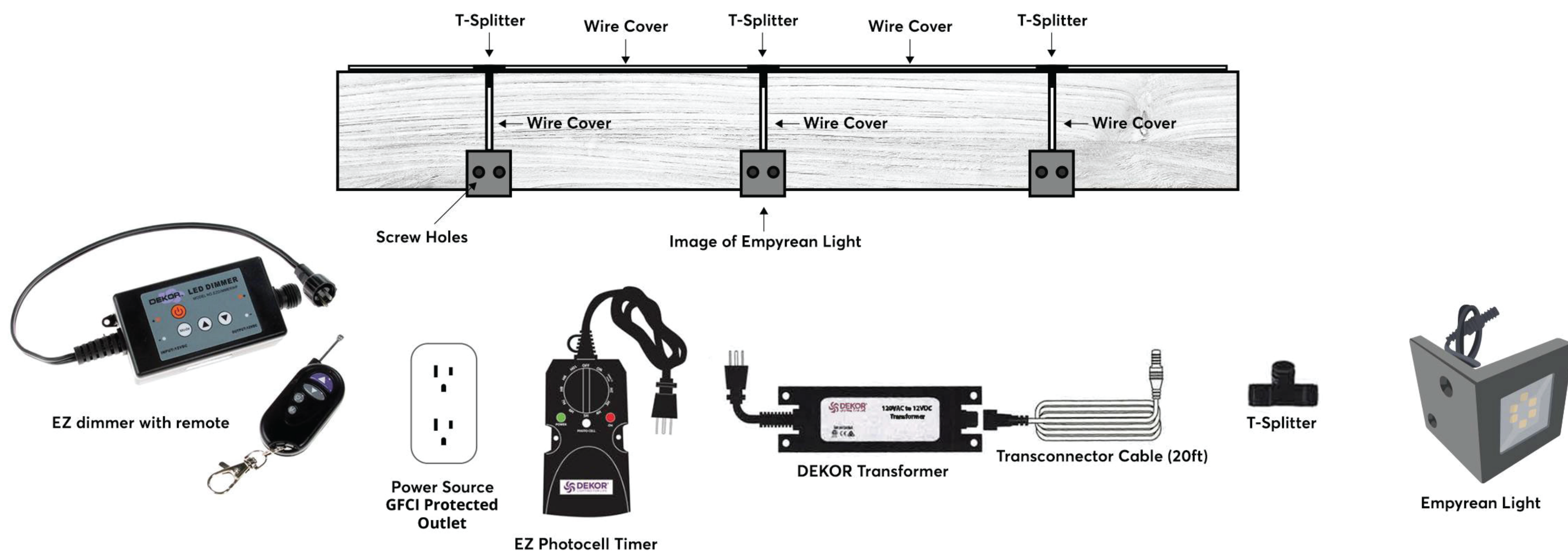


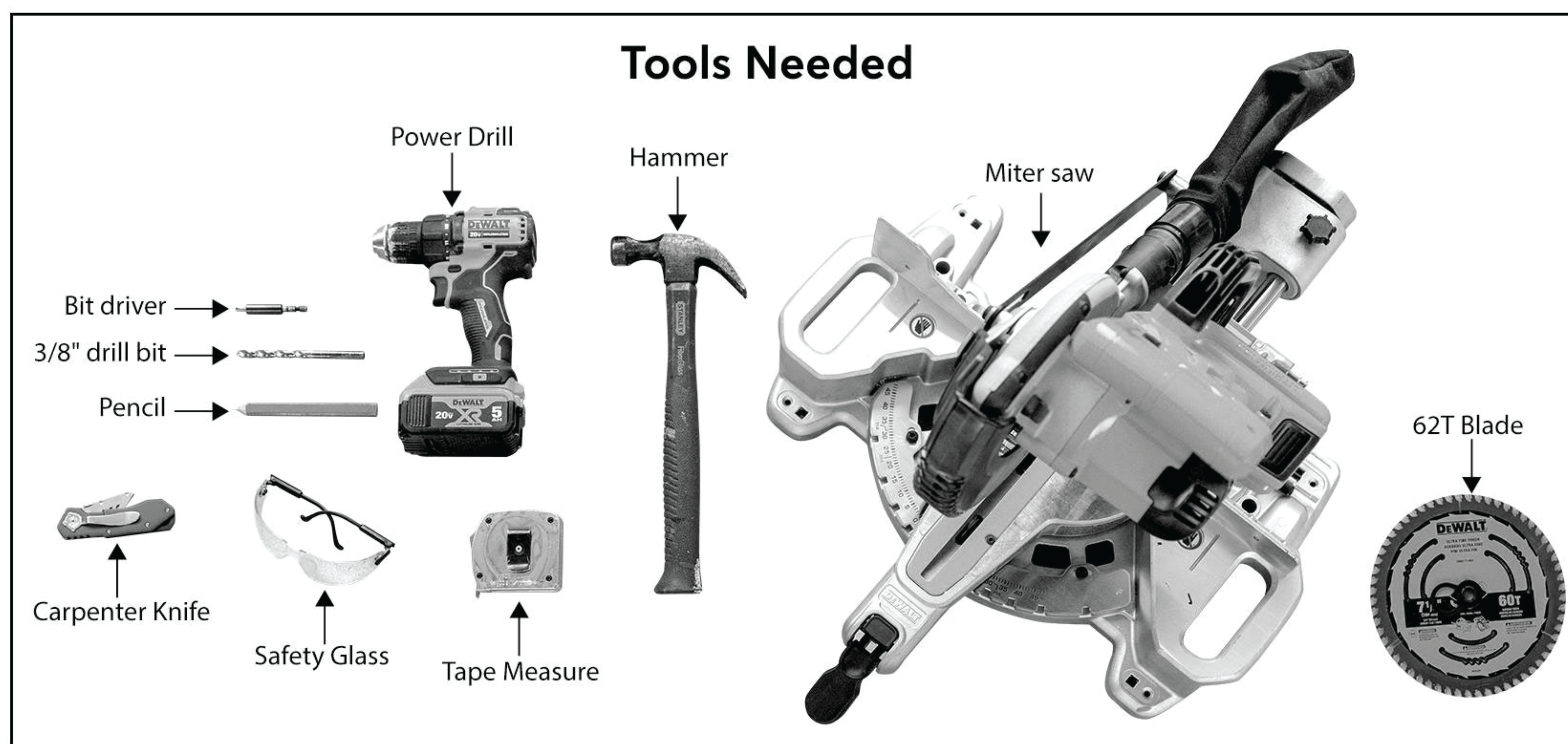
DEKOR® Empyrean LED Lights, “The Light from Above”, are bright Flush-Mount Lights in a small L-shaped housing. Use these lights on your beautifully constructed Pergola, Trellis, Arbor, or any decorative shade structures to cast a gentle glow on any scene. Our sleek color-match wire covers make the wires inconspicuous during the day. Our Empyrean lights are waterproof, exceptionally durable, and backed by a lifetime warranty. For more information call 1.800.258.0344, or connect to our responsive chat messenger at dekorlighting.com.



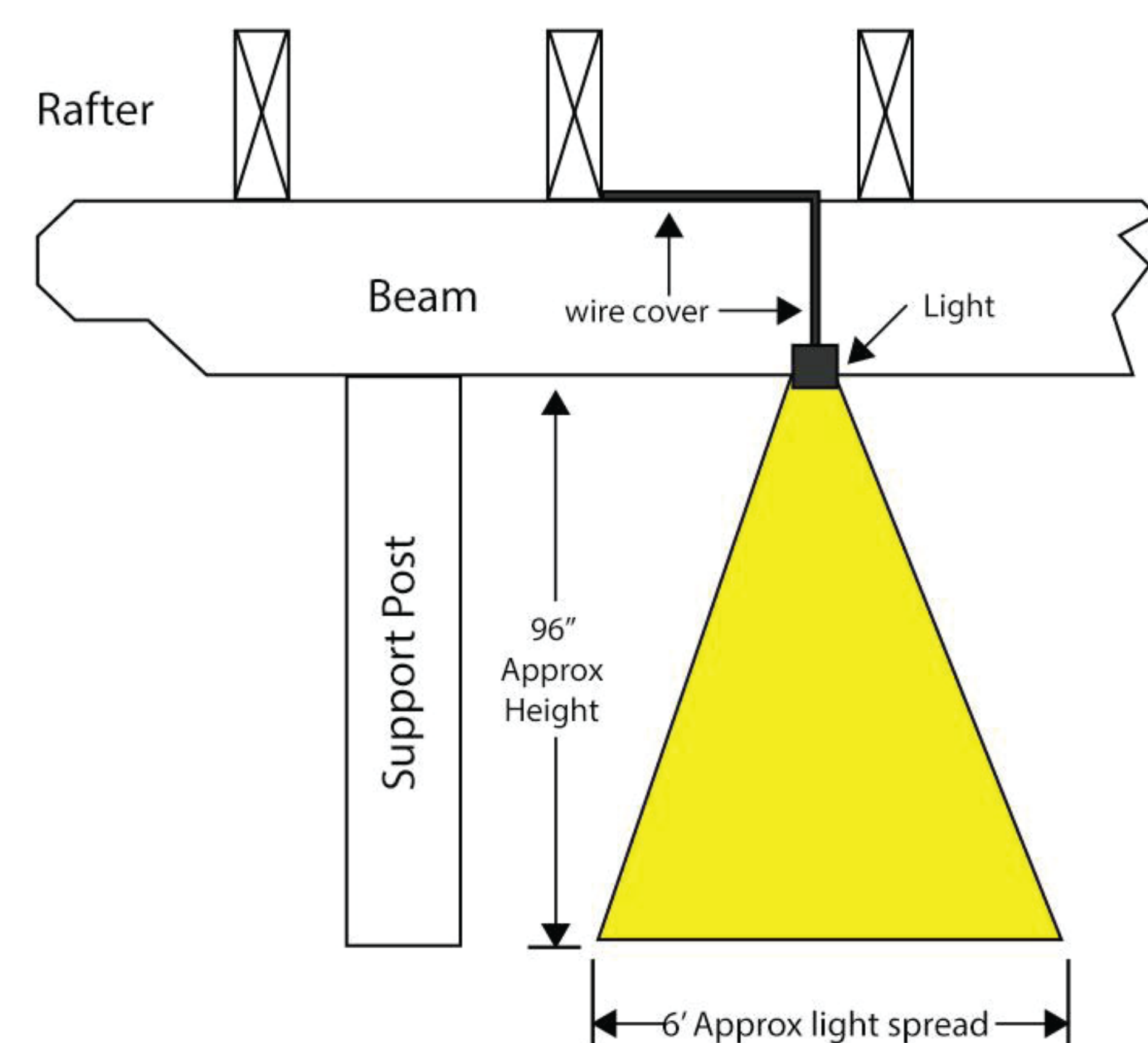
Empyrean Light Kit

- (8) LED Empyrean Lights
- (1) EZ Transformer
- (1) EZ Photocell Timer
- (1) EZ Dimmer with Remote
- (1) EZ Plug-N-Play Transconnector Cable (20')
- (7) EZ Plug-N-Play T-Splitter
- (1) EZ Plug-N-Play female to female
- (8) HD Cables (5')
- (10) Wire Covers (4') color matched
- (40) Wire Cover Staples

Tools Needed



Example of LED Empyrean Light use Decorative patio shade structures

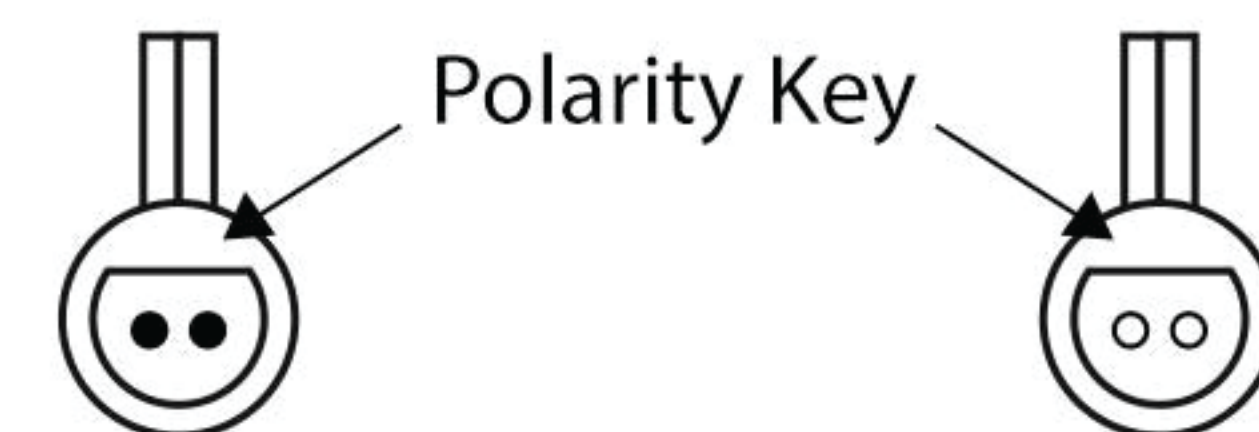


HELPFUL TIPS

- Follow the appropriate building and electrical codes when installing all DEKOR® lighting products.
- Leave wire slack to make fixture terminations
- It is recommended to determine placement of lighting under dark conditions prior to drilling/installation.
- DO NOT use more than one transformer on each circuit.
- To ensure all components are in working condition it is recommended to have a power source attached and on when installing lights.

CAUTION:

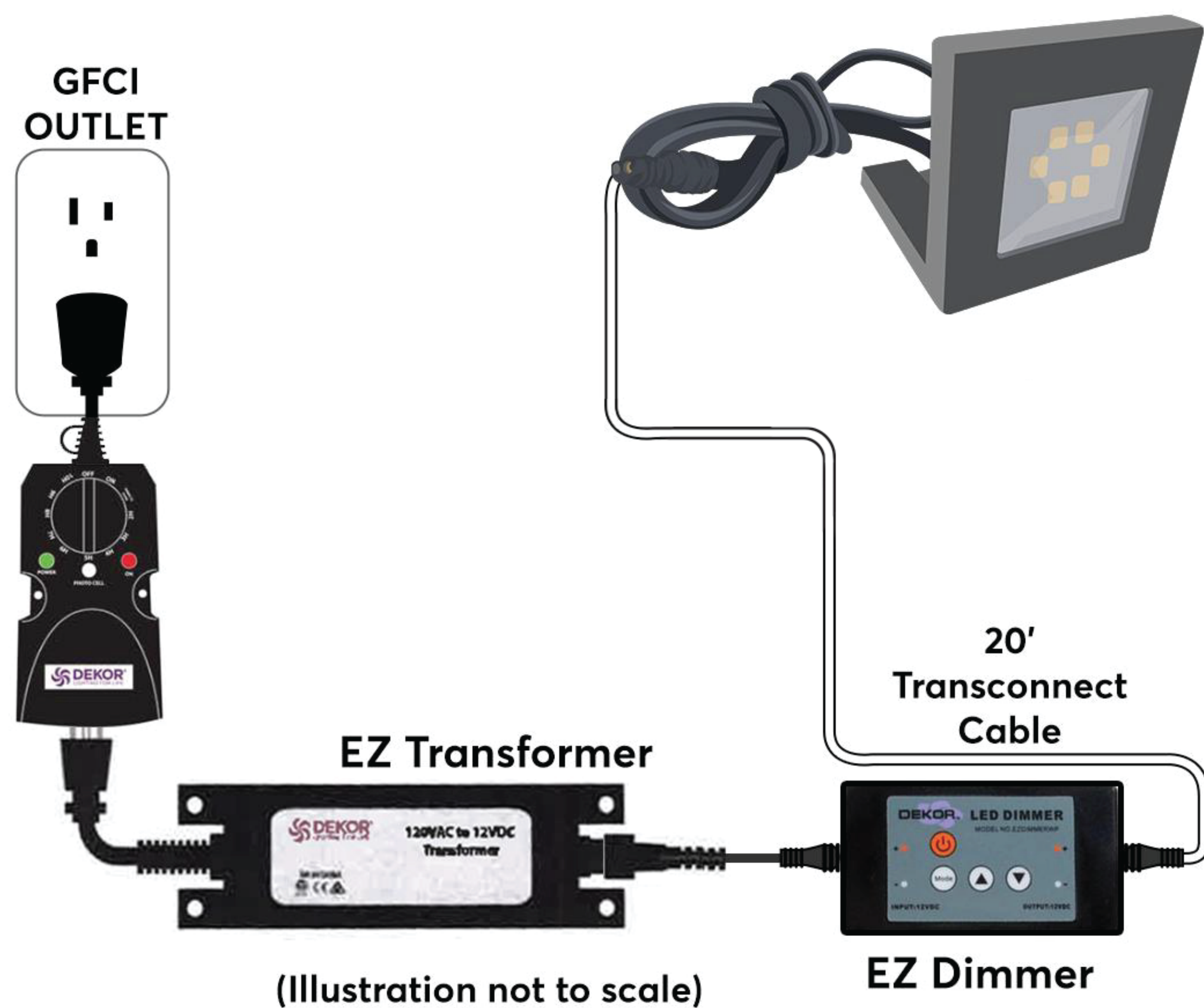
When making a connection between a Plug-N-Play connector or splitter; observe the polarity key to make the proper connection. The male and female connectors have a flat side that **MUST MATCH UP**. Do not force the connectors together. Plug-N-Play connectors are waterproof, but if there is constant exposure to water, use of dielectric grease should be added prior to connection.



Planning:

NOTE: Prior to installation, find locations for your power supply, timer, and dimmer. These need to be accessible. A GFCI outlet is required to help prevent damage to lights due to electrical incidents.

1. Plug the timer into a GFCI outlet in a dry area.
2. You must install the timer vertically with the receptacle facing down. The timer and transformer must be installed as per local/state and federal water safety regulations.
3. Plug EZ dimmer into EZ transformer then 20' transconnector cable into the first light.



Note:
Ensure transformer capacity for the number of DEKOR® LED Empyrean lights aligns with listed maximum capacity table. If the amount of lights used requires a higher transformer capacity than what is provided, transformer will malfunction and possibly overload.

TRANSFORMER CAPACITY TABLE		
TRANSFORMER NAME	OUTPUT CURRENT	LED QUANTITY CAPACITY
Standard EZ (36 watts)	2.4 AMPS	18
EZ Max (60 watts)	5.0 AMPS	34
EZ MaxC (100 watts)	8.3 AMPS	56
EZ Max200 (200 watts)	16.6 AMPS	100

One LED Empyrean light draws 150mA.
Meaning, 5 soffit lights draw 750mA, or .8 Amps

- ALWAYS check local codes before beginning your project.
- DEKOR® TRANSFORMERS ONLY. Using any other type of transformer voids the warranty.

Empyrean Lighting Installation

Live wiring installation (install with connected/activated lights) is recommended to ensure complete connection and functionality.

Follow steps below to live wire your DEKOR® LED Empyrean Lights.

1. Determine location of your power source (outlet or extension cord).



2. Connect 20' transformer cable to EZ Dimmer.
3. Plug Dimmer into transformer.
4. Plug transformer into timer.
5. Plug timer into power source (exterior/interior outlet).
6. Turn the timer ON.
7. It is very important that you determine location of your Empyrean lights prior to drilling holes (3'-5' spacing is recommended). Determine your location, place a mark, run cables, and make sure LED's are working before fastening the Light to your structure.



We recommend powering up a light at dusk and experimenting with light placement to establish your desired lighting look before drilling.

8. Once location is determined, mark where the light will be mounted. Use a drill, Phillips driver bit and fasten into place with the (2) 3/4" screws (included).

Note: Make sure the L-Shaped light housing is pushed up tight to the bottom of the crossmember.



9. Measure from the top of Empyrean light to the top of crossmember to determine the length of the vertical wire cover. Next, measure horizontal distance between lights for the top wire cover. Split the wire cover using Carpenter Knife for ease of inserting the wire.



Note: Cut all lengths and angles of the wire covers using a Miter Saw with a 62T finish blade

10. Install the wire cover using the staples (included) and a hammer, or you may use the two-sided tape (included). Place tape on the back of wire cover then firmly press into place.



11. Repeat steps above for each conditional light, joining them to a Plug-N-Play T-splitter. Each light should illuminate once powered.

Notes:

- Always check local codes before beginning our project.
- Use DEKOR® Transformer only. Using any other transformer voids warranty.
- These lights produce a lot of light. Never look directly into the light, and use caution when handling lights that have been on for a while. They will get warm under normal operation.