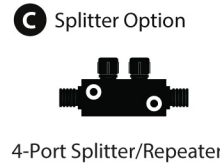
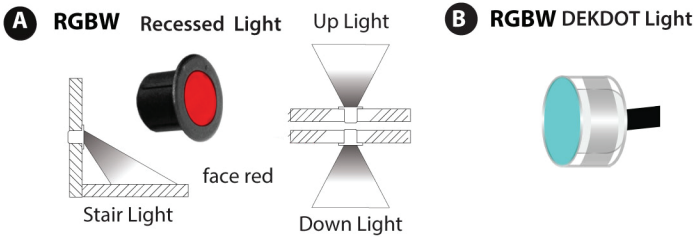


DEKOR® RGBW RECESSED LIGHTING Installation Instructions

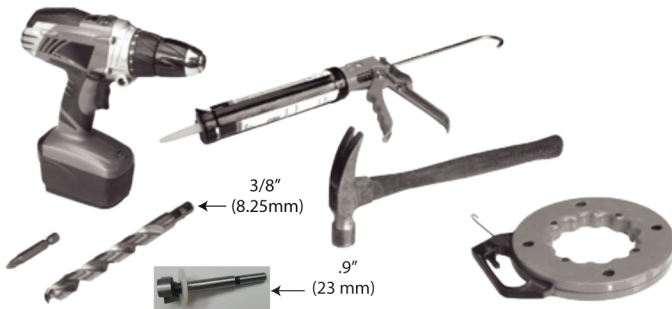
PARTS



RGBW System

» 20", 5', 10', and 20' male to male connection/extension wires sold separately.

TOOLS NEEDED



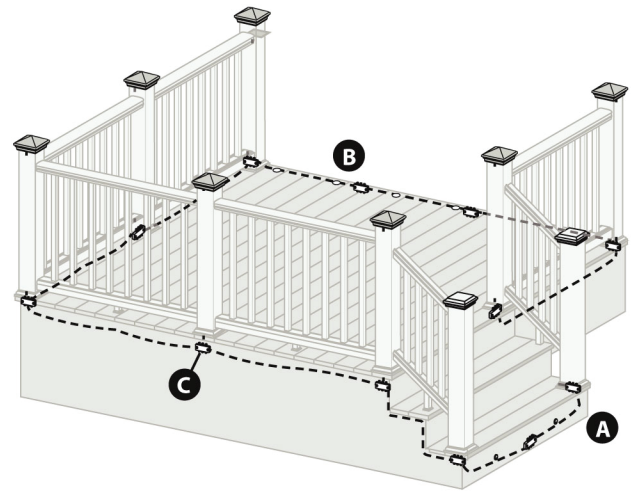
NOTE: All wiring and splitters are mounted to inside of framing, picture is just representation of where to place these in general.

NOTE: Avoid railing brackets and locations for deck rail lights when running wires up posts.

NOTE: It is recommended to install wiring and splitters before decking and railing have been installed.

DO NOT run wires between joists and deck boards.

LIGHTING AND WIRING OVERVIEW



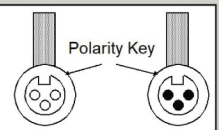
HELPFUL TIPS

- » Follow the appropriate building and electrical codes when installing all DEKOR® lighting products.
- » Leave wire slack to make fixture terminations.
- » Recessed lights work best when spaced 4' (1.22m) to 6' (1.83m) on center around perimeter of deck.
- » It is recommended to determine placement of lighting under dark conditions prior to drilling/installation.
- » Carefully drill holes perpendicular to surface to avoid producing an enlarged hole. Light fixture will have a loose fit if hole is enlarged. NOTE: Silicone caulk will be required to anchor light in place in over-drilled recessed light holes.
- » It is best to use splitters/repeaters at each light and, depending on spacing, in between each Dek Dot and recessed light.
- » When installing lights within the cable length, two lights can be connected to one splitter/repeater.
- » Unused splitter female connections need to be capped. Use provided caps or a weather resistant silicone to prevent corrosion or water damage.
- » The 4-port splitter/repeater has one input power port and three output ports. It's critical that the power wire is connected to the input port.
- » DO NOT use more than one transformer on each circuit.
- » Each light has a 6" pig-tail lead to be attached to the cable.
- » To ensure all components are in working condition it is recommended to have power source attached when installing lights.

CAUTION:

When making a connection between a 3-wire Plug-N-Play connector or a splitter; observe the polarity key to make the proper connection.

MUST MATCH UP. DO NOT force the connectors together.



DEKOR® RGBW RECESSED LIGHTING Installation Instructions

How to install DEKOR® RGBW Recessed Lighting

General Information

» ALWAYS check local codes before beginning your project.

USE DEKOR® TRANSFORMERS ONLY. Using any other type of transformer the lights will be warranted for (3) years.

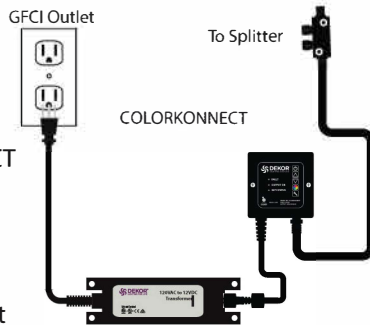
TRANSFORMER CAPACITY EXAMPLE		
Example Light	EZMAX 60-Watt	EZ 36-Watt
DekDot	28	16

The above chart is an example for the RGBW DekDot when using a 60-Watt and a 36-watt transformer. You may power up to 60-Watts on a single COLORKONNECT WIFI CONTROLLER. Please use our transformer calculator for the specific light of choice. You may find on our website at DEKORLIGHTING.com.

Planning

NOTE: Prior to installing, plan locations of lights, power supply, and COLORKONNECT. These need to be accessible for service. It is required to install a GFCI to help prevent damage to lights caused by electrical surges.

1. COLORKONNECT WIFI works in a 50' (15 m) radius of your home router.
2. Install in a dry location.
3. You must install COLORKONNECT vertically with terminals facing down. COLORKONNECT must be at least 1' (.305 m) from ground level when installed as per federal safety code height regulations.

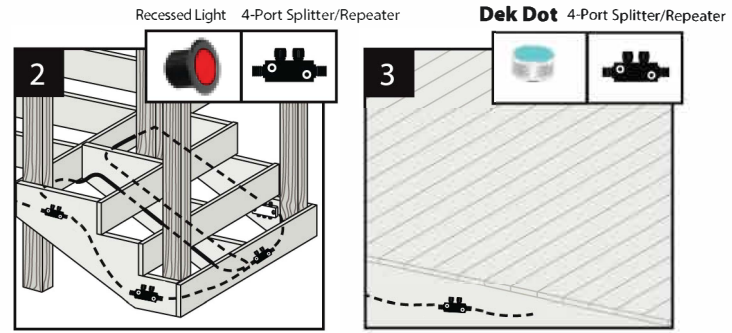
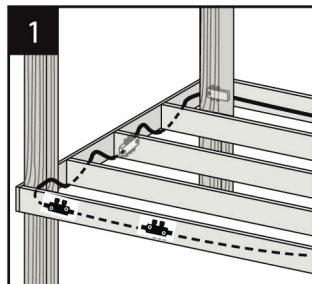


Installing Wiring

NOTE: It is best to install wiring and splitters before railing and decking have been installed.

» Connect to each required splitter using Male-to-Male connection wire (lengths vary).

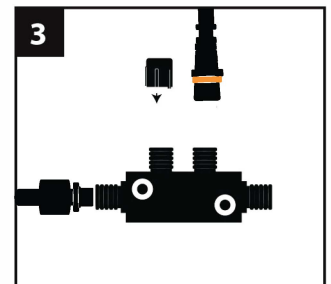
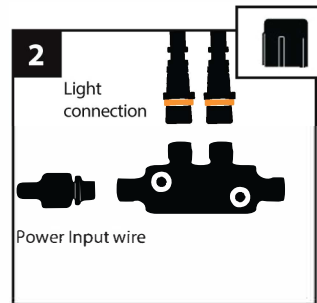
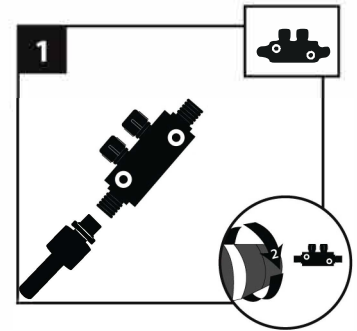
1. You must run wiring under decking structure and behind stringers. DO NOT run wires between joists and deck boards. Use cable staples at least 1/4" (0.6 cm) wide to staple to frame. DO NOT crush wire insulation with staple.



2. Wiring can be run under deck and behind risers. Use cable staples at least 1/4" (0.6 cm) wide to staple wire to frame. DO NOT crush wire insulation with staple. 4-port splitter/repeaters can power up to two lights. Connect the 6" (15.2 cm) female pigtail from light into the male-to-male cable then into 4-port splitter/repeater.
3. 4-port -splitter/repeater boost the single to maintain color clarity throughout the lighting system. Use each splitter/repeater at each light or with two lights. Connect the 6" (15.2 cm) female pigtail from light into the male-to-male cable. Staple wires to frame with cable staples at least 1/4" (0.6 cm) wide. DO NOT crush wire insulation with staple.

Making Connections

1. Using hardware provided install 4-port splitter/repeater to inside of framing. Install at every where lighting is present and depending on spacing in between each riser and recessed light.



2. Attach male lead from lights to female connections on 4-port splitter/repeater. Attach male-to-male connection wires in between each splitter. Continue until all wiring from lights are attached to 4-port splitters/repeater and connector wires are attached in between 4-port splitters/repeater.
3. Any unused ports must be sealed off by the provided caps.

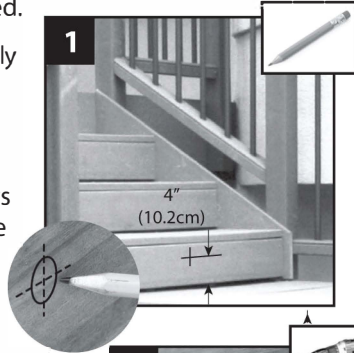
How to install DEKOR® RGBW Recessed lighting / continued

Installing Stair/Recessed Lights

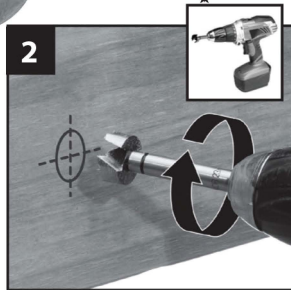
NOTE: Recessed lights should be installed after stairs and risers have been installed.

1. Mark location for light, typically 4" (10.2cm), above tread. Check local codes for lighting requirements.

NOTE: Avoid areas over stringers when possible because it will be more difficult to drill holes.

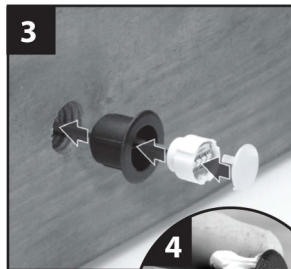


2. Drill a .9" (2.4 cm) diameter hole at least 1" (2.5 cm) deep into riser. If riser material is thicker than 1" (2.5 cm), use a 1/2" (1.7 cm) drill bit to create a hole for wires that goes all the way through riser.

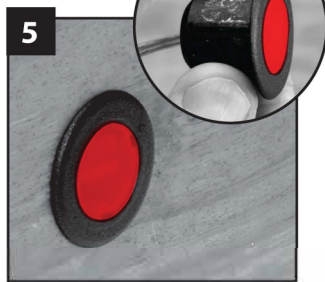


3. Thread wires through hole.

4. Remember to add some silicone adhesive caulk around the case to insure proper seal and adhesion.



5. Press light housing into hole, then insert light lens. Make connections behind stairs. Male lead wire from recessed light goes into a female connection on splitter/repeater. Also attach male-to-male connection wires in between each splitter/repeater. Continue until all wiring from lights are attached to 4 port splitter/repeaters and connector wires are attached in between 4 port splitter/repeaters. (See Making Connections section for details.)



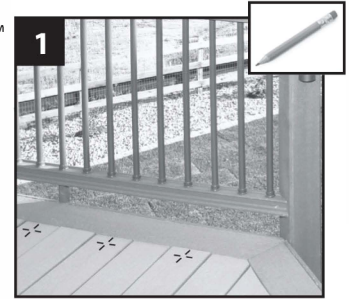
NOTE: Stair LEDs are set at 30° angle to cast light on tread. Make sure Stair Lights are set in case with LEDs pointed toward stair tread.

Installing RGBW DEK DOTS lights

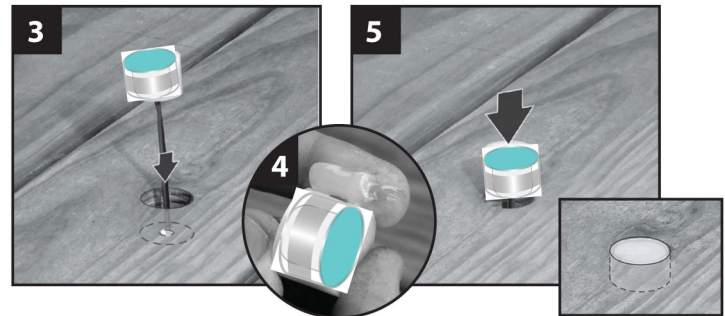
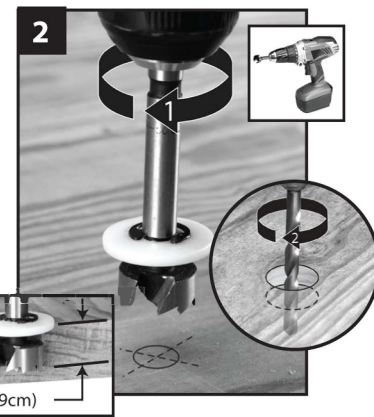
NOTE: Install RGBW DEK-DOTS™ deck lights after installing decking.

1. Mark location for DEK-DOTS™ on deck boards.

NOTE: Avoid locations over joists when possible because it will be more difficult to drill holes.



2. Use the Forstner bit and drill a 1" (2.5 cm) dia. hole 3/4" (1.9 cm) deep into board. Make sure hole does not go all the way through deck board or light will fall through. Drill a 1/2" (1.7 cm) hole in base of the first hole through deck board to run 3 wire Plug-N-Play wire.



3. Thread wires through hole. DO NOT pull DEK DOT™ into hole by pulling on wires. This may damage wires or DEK DOT™.
4. Remember to use a small amount of silicone adhesive around the dot to insure proper seal and adhesion.
5. Press DEK-DOT™ into hole until flush with surface. Make connections under deck. Male lead wire from riser light into female connection on 4 port splitter/repeater. Also attach male-to-male connection wires in between each 4 port splitter/repeater. Continue until all wiring from lights are attached to splitters/repeater and connector wires are attached in between splitters/repeater. (See Making Connections section for details.)