

The DEKOR® Lighting system is a low-voltage 12V system. Our transformers convert the 120V electricity from your home through a GFCI outlet to 12V.

BEFORE YOU PURCHASE YOUR DEKOR® LIGHTING LOW VOLTAGE SYSTEM FOLLOW THESE 3 IMPORTANT STEPS.



1. DESIGN A LIGHTING PLAN

Decide the area of your home you want to light up, choose your light style and quantity of each light.



2. DESIGN A CABLE PLAN

Calculate the power consumption of your lighting plan, where your cables will go, what lengths you need, quantity and type of connectors

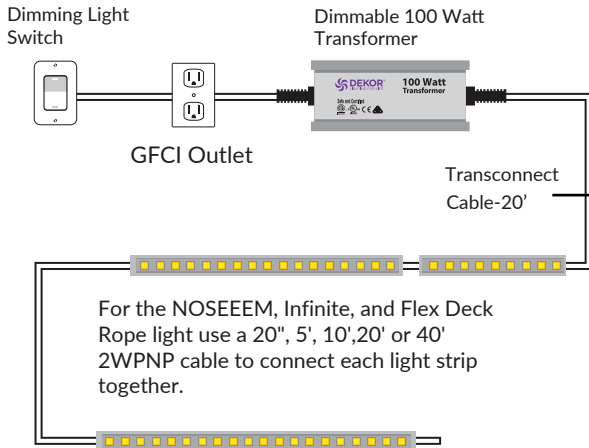


3. CHOOSE YOUR TRANSFORMER

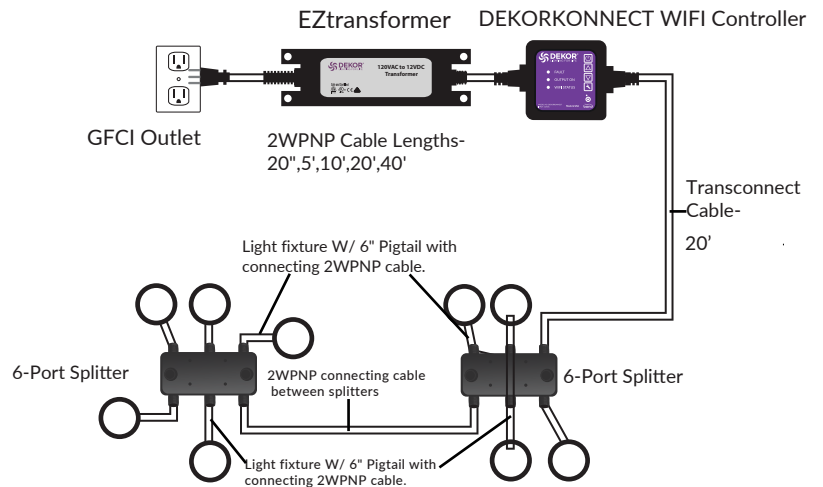
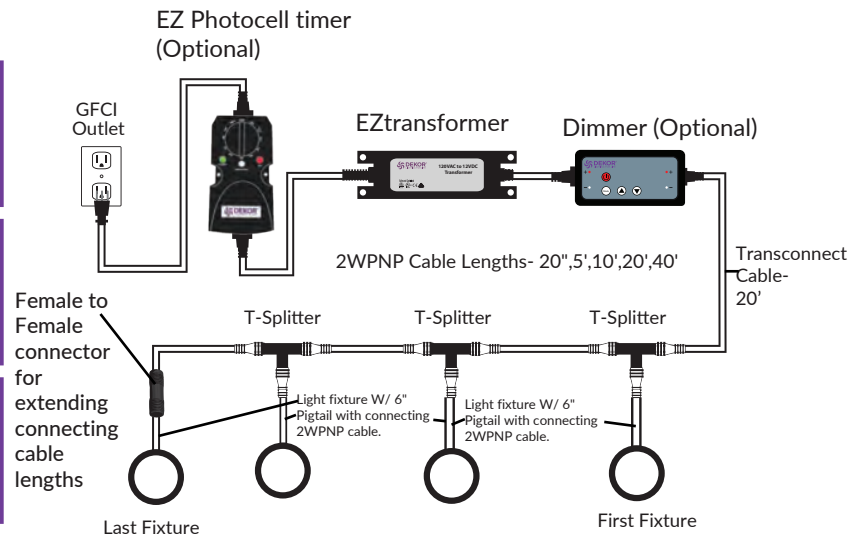
Determine the transformer you need by calculating the number of lights and total wattage required for your project.

* Visit our website www.dekorlighting.com for more information.

Note: Non-DEKOR® dimmable light controller



EZ Plug-N-Play 6-Port Splitter, T-Splitters, and Female-to-Female connectors can be used interchangeably depending on the needs of the location.



HELPFUL TIPS

- » Follow the appropriate building and electrical codes when installing all DEKOR® lighting products.
- » Leave wire slack to make fixture terminations.
- » It is recommended to determine placement of lighting under dark conditions prior to drilling/installation.
- » DO NOT use more than one transformer on each circuit.
- » To ensure all components are in working condition it is recommended to have power source attached and on when installing lights.

CAUTION:

When making a connection between a Plug-N-Play connector or splitter, observe the polarity key to make the proper connection. The male and female connectors have a flat side with a V-notch that **MUST MATCH UP**. Do not force the connector together. Plug-N-Play connectors are waterproof. They are sealed with an O-Ring and locking collar.

Note: The NexGen LEDs will glow red if plugged in reverse.

