

DEKOR® DOCKDOTS® Installation Instructions

PARTS

A DOCKDOTS®



2-Wire Female Pigtail

Note: (2 or 3) Pigtails are designed to daisy chain from one light to the next light over.

» 20", 5', 10', 20', 40', and 60' male to male connection/extension wires and connectors sold separately.

Standard



Up/Down Light

NexGen



Up/Down Light

General Information

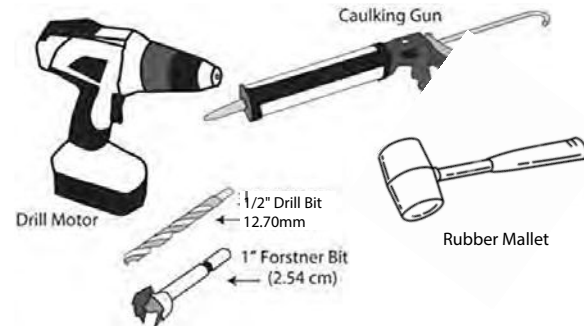
» ALWAYS check local codes before beginning your project. USE DEKOR® TRANSFORMERS for the Limited Lifetime warranty. Using any other type of transformer the lights will have a 3-year warranty.

TRANSFORMER CAPACITY BY TYPE

Example	5A Transformer EZ Max Transformer	2.5A Transformer EZ Transformer
DOCKDOTS®	45	25

The list above is for maximum number of each individual types of lights. If mixing and matching lighting reference the transformer calculator at www.dekorlighting.com.

TOOLS NEEDED

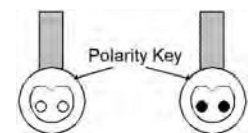


HELPFUL TIPS

- » Follow the appropriate building and electrical codes when installing all DEKOR® lighting products.
- » Leave wire slack to make fixture terminations.
- » DOCKDOTS® LEDs work best when spaced 4' (1.22m) to 6' (1.83m) on center around perimeter of dock.
- » It is recommended to determine placement of lighting under dark conditions prior to drilling/installation.
- » Carefully drill holes perpendicular to the surface to avoid producing an enlarged hole. DOCKDOTS® will have a loose fit if hole is enlarged. NOTE: Silicone caulk will be required to anchor light in place in over-drilled recessed light holes.
- » Unused connections need to be capped. Use the provided caps or dielectric grease to prevent corrosion or water damage.

- » DO NOT use more than one transformer on each circuit.
- » To ensure all components are in working condition it is recommended to have power source attached when installing lights.

CAUTION:



When making a connection between a Plug-N-play connector or splitter, observe the polarity key to make the proper connection. The male and female connectors have a flat side with a V-notch that **MUST MATCH UP**. Do not force the connectors together. The Plug-NPlay connectors are waterproof and they seal with an O-ring and a locking collar. **Note:** The NexGen LEDs will glow red if plugged in reverse.

DEKOR® DOCKDOTS® Installation Instructions

Planning

NOTE:

NOTE: Prior to installing, plan locations of lights, power supply, timer, and dimmer. These need to be accessible for service. It is required to install a GFCI to help prevent damage to lights caused by electrical surges.

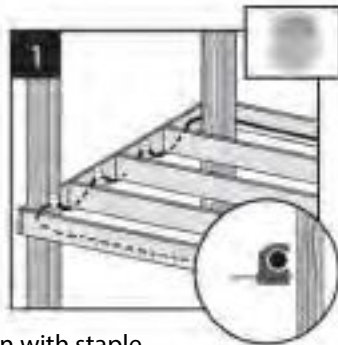
1. Plug Timer in a GFCI outlet located in a dry area.
2. You must install timer vertically with receptacle facing down. Timer and transformer must be installed as per local/state and federal water safety codes. The photocell timer is an example of one controller option. Visit www.dekorlighting.com for other controller options.

Installing Wiring

NOTE: It is best to install wiring before railing and decking have been installed.

» Run male to male connection wire (lengths vary) up through drilled holes.

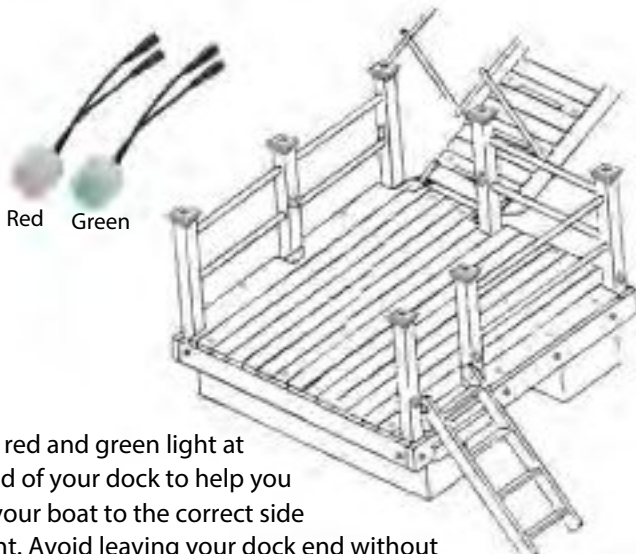
1. Run wiring under decking structure and behind stringers.



DO NOT run wires in water or between joists and deck boards. Use enclosed cable staples to attach cables to dock frame.

DO NOT crush wire insulation with staple.

DOCKDOTS® Starboard and Port Light Kit Available



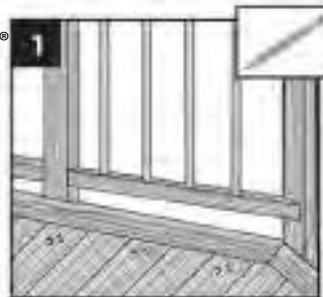
Affix a red and green light at the end of your dock to help you steer your boat to the correct side at night. Avoid leaving your dock end without lights.

Installing DOCKDOTS® Recessed Lights

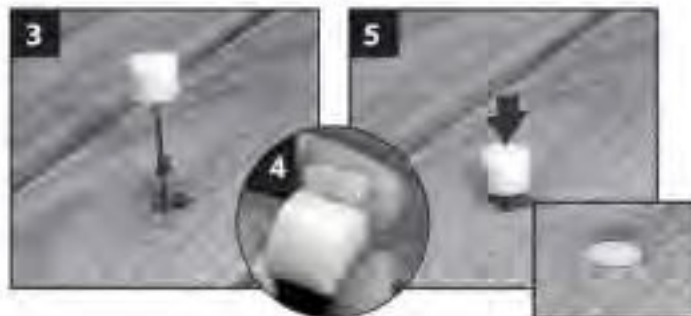
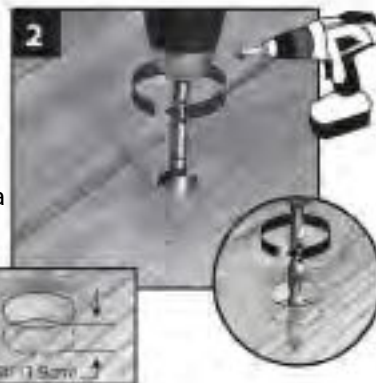
NOTE: Install DOCKDOTS® recessed lights after installing decking.

1. Mark location for DOCKDOTS® lights on deck boards.

NOTE: Avoid locations over joists when possible because it will be more difficult to drill holes.



2. Use a drill bit 1" (25.4 mm) and hole 11/16" (1.1746mm) deep into board. **Make sure hole does not go all the way through deck board or light will fall through.** Drill a 1/2" (12.07mm) hole in base of the light hole through deck board to run Plug-N-Play wire.



3. Thread wires through hole. **DO NOT** pull DOCKDOTS® into hole by pulling on wires. This may damage DOCKDOTS®.
4. Remember to add a small amount of silicone adhesive around the dot to insure proper seal and adhesion.
5. Press DOCKDOTS® into hole until flush with surface. Make connections under deck. Male lead wire from light into female connection on the next light.

NOTE: Cap off all unused female splitter connections using the provided caps or dielectric grease to prevent corrosion.