

DEKOR® Post Cap Installation Instructions

A Illuminated Post Caps

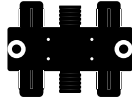


Sizes- 3.5, 4.18, 4.916, 5, 5.5, 6"



Sizes- 2.0, 2.5, 3.0"

B Splitter Options



EZPNP 6-Port



EZPNP Female to Female



EZPNP T-Splitter

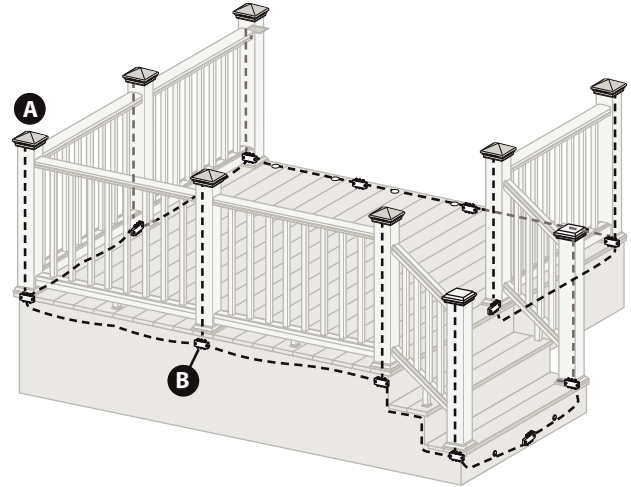
» 20', 5', 10', 20', 40', and 60' male to male connection/extension wires and connectors sold separately.

TOOLS NEEDED



3/8"
(8.25mm)

LIGHTING AND WIRING OVERVIEW



NOTE: All wiring and splitters are mounted to inside of framing, picture is just representation of where to place these in general.

NOTE: Avoid railing brackets and locations for deck rail lights when running wires up posts.

NOTE: It is recommended to install wiring and splitters before decking and railing have been installed.

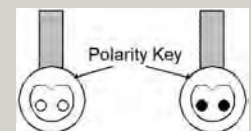
DO NOT run wires between joists and deck boards.

HELPFUL TIPS

- » Follow the appropriate building and electrical codes when installing all DEKOR® lighting products.
- » Leave wire slack to make fixture terminations.
- » It is recommended to determine placement of lighting under dark conditions prior to drilling/installation.
- » Post lights should be used at the top or the bottom of the stairs or used in conjunction with post cap lights.
- » It is best to use the T-splitters at each post light under deck frame.
- » Unused splitter female connections need to be capped. Either use provided caps or dielectric grease to prevent corrosion or water damage.
- » All splitter female connections ports are powered so any or all can be used.
- » **DO NOT** use more than one transformer on each circuit.

- » Each light has a 6" pigtail that attaches to a male cable (lengths vary). The other end of the male cable attaches to the splitters.
- » To ensure all components are in working condition it is recommended to have power source attached when installing lights.

CAUTION:



When making a connection between a Plug-N-play connector or splitter, observe the polarity key to make the proper connection. The male and female connectors have a flat side with a V-notch that **MUST MATCH UP**. Do not force the connectors together. The Plug-NPlay connectors are waterproof and they seal with an O-ring and a locking collar. **Note:** The NexGen LEDs will glow red if plugged in reverse.

DEKOR® Post Cap Installation Instructions

General Information

- » ALWAYS check local codes before beginning your project. USE DEKOR® TRANSFORMERS for the Limited Lifetime warranty. Using any other type of transformer the lights will have a 3-year warranty.

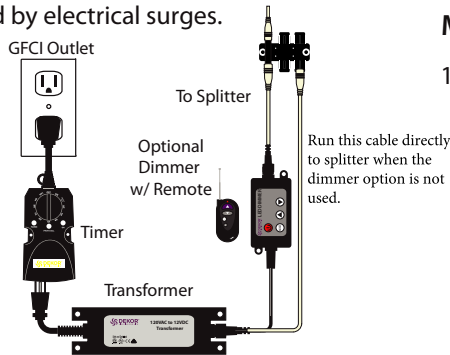
TRANSFORMER CAPACITY BY TYPE		
Example	5A Transformer EZ Max Transformer	2.5A Transformer EZ Transformer
Savona 2.5" Light	7	4

The list above is for maximum number of each individual types of lights. If mixing and matching lighting reference the transformer calculator at www.dekorlighting.com.

Planning

NOTE: Prior to installing, plan locations of lights, power supply, timer, and dimmer. These need to be accessible for service. It is required to install a GFI to help prevent damage to lights caused by electrical surges.

1. Dimmer remote works in a 30' (9 m) radius of the unit.
2. Install dimmer in a dry location.
3. You must install timer vertically with receptacle facing down. Timer must be at least 1' (.305 m) from ground level when installed as per federal safety code height regulations. To use the dusk/dawn feature the timer must be in view of the sun.

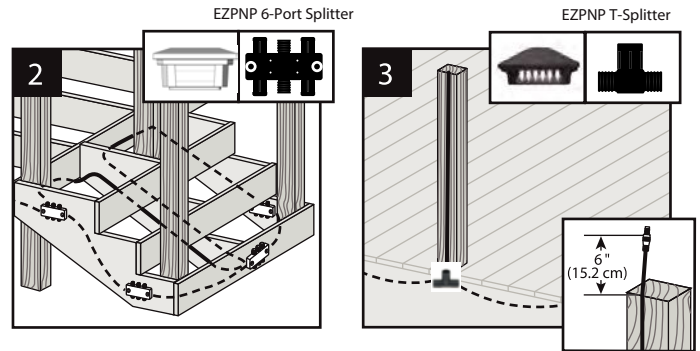
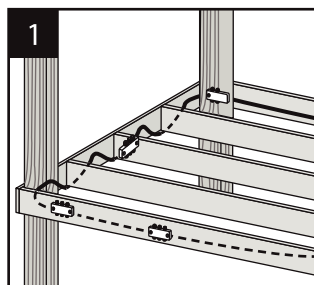


Installing Wiring

NOTE: It is best to install wiring and splitters before railing and decking have been installed.

- » Connect to each required splitter using Male-to-Male connection wire (lengths vary).

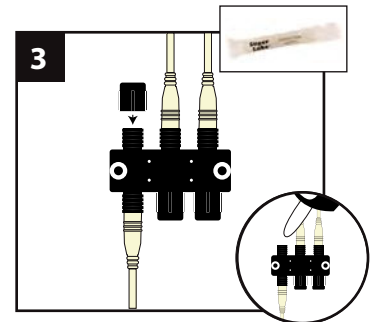
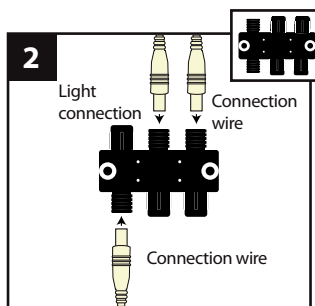
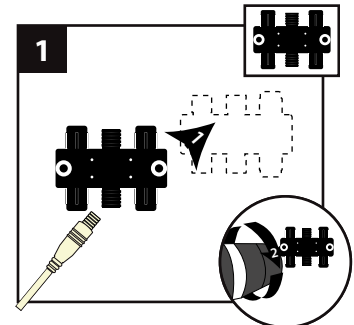
1. You must run wiring under decking structure and behind stringers. DO NOT run wires between joists and deck boards. Use cable staples at least 1/4" (0.6 cm) wide to staple to frame. DO NOT crush wire insulation with staple.



2. Wiring can be run under deck and behind risers. Use cable staples at least 1/4" (0.6 cm) wide to staple wire to frame. DO NOT crush wire insulation with staple.
3. Install the male cable to the side of a the post. Leave at least 6" of wire past the top of the post to connect 6" pigtail from post cap. Avoid running wire on side of post where railing brackets or deck rail lights will be installed. Staple to frame and posts with cable staples at least 1/4" (0.6 cm) wide. DO NOT crush wire insulation with staple.

Making Connections

1. Using hardware provided install splitters to inside of framing. Install at every post base where lighting is present and depending on spacing in between each post light.

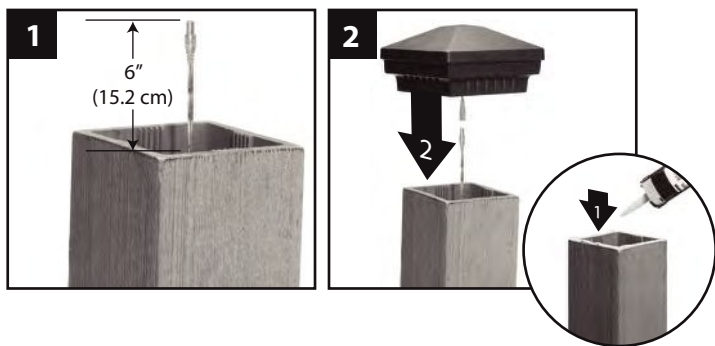


2. Attach male lead from lights to female connections on splitter. Attach male-to- male connection wires in between each splitter. Continue until all wiring from lights are attached to splitters and connector wires are attached in between splitters.
3. Unused female connections need to be capped. Use the provided caps or dielectric grease.

DEKOR® Post Cap Installation Instructions

How to install DEKOR® Post Caps Installing Post Cap Lights

Composite and Vinyl post sleeves



NOTE: Install post cap lights after the railing system, post sleeve skirt, and post sleeve have been installed.

1. Connect male lead from wiring to female connector from cap. Attach male to male connection wires in between each splitter. Continue until all wiring from lights are attached to splitters as well as connector wires are attached in between splitters. (See Making Connections section for details.)
2. Attach cap to top of post with silicone caulk after verifying wiring is correct by turning lights on.

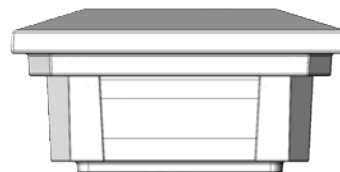
NOTE: If deck boards are not installed yet place an appropriate deck width spacer board to ensure post sleeve is at correct height.

NOTE: If railing has already been installed, lead wires will need to be fished through the post sleeve to reach the top of post. In some cases if the provided lead wire does not fit, the wire connectors can be cut off not fit, the wire nuts applied.

Test lights with the power on. If lights wired with this method do not function, switch the connector wires.

How to install DEKOR® Savona Post Caps

Aluminum railing posts



1. When installing post caps on a aluminum post, fish cable through the post and connect the male cable end to the female end on the post cap. Then place a small drop of silicone on each corner of the post. Place the cop over the post and press firmly on down to seat into place.

